

DAEMO

DAEMO ENGINEERING CO., LTD.

Attachments Full Line-Up

Best in Class Durability, Reliability & Performance





About DAEMO

DAEMO Engineering Co.,Ltd is one of the leading manufacturers of hydraulic attachment in Korea.

Since 1989, we have developed a state-of-art hydraulic attachments and DAEMO products have been playing a major role in various working site as like quarry, mining, construction site, building disassembly, road construction, housing land development public works, demolition site, sewage system etc.

DAEMO give you not only reliable products, but also responsible service through well organized worldwide sale Network system.

We have kept developing lots of diverse attachments with latest and sophisticated technology based on very well skilled workmanship. Thus our hydraulic breaker consist of minimum numbers of components which brings you easy maintenance and trouble free operation.

Accompanying with DAEMO will bring you more profit and satisfaction eventually.

History of DAEMO

- Jul. 1989 Established Daemo Engineering Co.,Ltd.
- Apr. 1990 Distributor Agreement with ABI, Germany for Telescopic Boom, HVR Vibrators, Blowing & Drilling System, etc.
- Feb. 1992 OEM Agreement with Hyundai Heavy Industries.
- Mar. 1992 Developed Super Series of Non-Accumulator Type Breaker.
- Dec. 1992 Developed Hydraulic Concrete Crushers and Metal Shears.
- May. 1994 Awarded Korea Presidential Prize for being Excellent Enterprise.
- Jun. 1995 Acquired "CE" Certificatate from TUV in Germany.
- Oct. 1998 Awarded Presidential Prize for Excellent Machinery.
- Dec. 1999 Awarded the prize of USD 5 million export.
- Jan. 2000 Inaugurated Daemo America Inc. in Chicago, U.S.A.
- May. 2001 Obtained U.S patent for "Low Noise & Dust Proof Breaker".
- May. 2001 Obtained U.S Trademark for "DAEMO" by the United States Patent & Trademark office.
- Jun. 2001 Developed New V-series Hydraulic Breaker and Multi Processor.
- Aug. 2002 Moved to new office & factory in Shihwa Industrial Complex.
- Apr. 2003 Inaugurated CHANGZHOU DAEMO MACHINERY CO., LTD., CHINA.
- Jun. 2005 Inaugurated DAEMO EUROPE N.V., BELGIUM.
- Jun. 2006 Chosen as "World Class Company" by Korean Ministry of Commerce, Industry and Energy.
- Apr. 2007 Acquired "ISO14001".
- Dec. 2008 Awarded the prize of USD 20 million export.
- May. 2009 Acquired "KDB Global Star" Certificate Korea Industrial Bank.
- Oct. 2010 Acquired "Strong Exporter Certificate" Industrial Bank of Korea.
- Dec. 2011 Awarded the prize of USD 30 million export.



CONTENTS

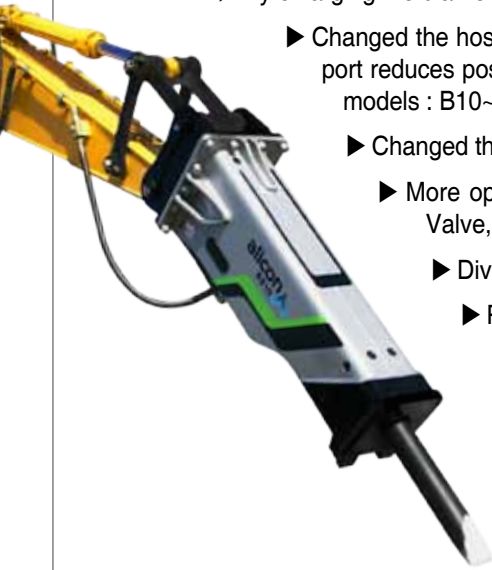
BREAKER	04
SHEAR	06
CRUSHER	07
Fixed Crusher	
Rotating Crusher	
Mini Crusher	
Multi Processor	08
GRAPPLE	09
Sorting Grab / Rake	
Link type Wood Grapple	
Pendulum type Wood Grapple	
Orange Grapple	
Stone Grapple	
MECHANICAL FORK	12
QUICK COUPLER	12
COMPACTOR	13
RIPPER	13
CAR DISMANTLER	14
CLAMSHELL BUCKET	14
SPECIAL ATTACHMENTS	15
Material Handler	
Long Reach Excavator	
High Reach Demolition	
Cabin Option	

Breaker



FEATURES

- ▶ The newly born alicon Series has innovated with technology, is Lighter, stronger, and more powerful than ever.
 - ▶ By enlarging the diameter of the T/Bolt the alicon series has Improved its durability.
 - ▶ Changed the hose connecting port from Split Flange structure In/Out port to New Adaptor type port. This new port reduces possible fail points like connected bolt breakage, and oil leakage fundamentally (It applies to all models : B10~B800).
 - ▶ Changed the Box Housing to Bending design for more durability.
 - ▶ More options : Anti Blank Firing On/Off Valve, TPC system (2 stages stroke valve), Internal Relief Valve, BPM adjust Valve, Provision Hole for underwater works and Auto Grease System.
 - ▶ Diversified 17 products lines to fit to any work conditions.
 - ▶ Redesigned chisel pin has improved durability.
 - ▶ Applied more powerful impact power by enlarging the chisel's diameter.
 - ▶ Increased the life of the breaker (Chisel Pins, T/Bolts, F/Head, etc.) by applying the Anti Blank Firing system.



SPECIFICATIONS

Description		Unit	B10	B20	B30	B40	B50	B70	B90	B140	B180	B210	B230	B250	B300	B360	B450	B600	B800
Suitable Exca.		ton	0.5~1.5	0.8~1.5	1.2~4	3~4.5	3~8	5~8	6~9	10~15	16~20	18~25	18~25	22~29	26~32	28~36	40~50	42~81	55~100
Control Type			Internal built-in control valve				Outer Control valve installed without Accumulator					Outer Control valve installed with Accumulator							
Operating Weight	Side	kg	-	-	-	173	271	340	513	773	1,199	1,647	1,663	2,020	2,796	2,806	3,628	-	-
	Top Box	kg	123	155	190	199	333	431	614	929	1,209	1,738	1,777	2,165	2,832	2,937	3,713	4,105	5,625
Overall Length	Side	mm	-	-	-	1,223	1,560	1,657	1,842	1,903	2,094	2,348	2,348	2,457	2,732	2,732	3,070	-	-
	Top Box	mm	1,128	1,250	1,352	1,380	1,603	1,805	1,981	2,225	2,455	2,764	2,764	2,898	3,200	3,200	3,595	3,616	4,059
Chisel Out Dia.		mm	40	45	53	62	70	78	85	105	120	135	140	145	150	155	165	180	200
Chisel Length		mm	425	500	580	625	730	806	850	975	1,165	1,250	1,250	1,280	1,400	1,400	1,650	1,500	1,700
Setting Pressure		kgf/cm ²	150	150	150	150	170	180	190	190	210	210	210	210	210	210	210	240	250
Working Pressure		kgf/cm ²	80~110	80~110	90~120	90~120	100~140	100~140	100~140	120~160	120~170	130~170	130~180	140~180	140~180	140~180	140~180	150~190	150~190
Oil Flow		LPM	15~25	20~30	25~40	30~50	30~55	45~80	50~100	90~110	100~140	110~160	130~170	150~210	180~250	180~250	200~280	280~398	322~454
Blow Rate (High Speed)		BPM	800~1,200	600~1,000	550~950	400~1,000	350~900 (450~1,000)	350~900 (450~1,000)	300~700 (550~9,500)	350~550 (500~750)	350~550 (500~850)	350~500 (450~600)	250~400 (350~500)	250~350 (300~4,500)	200~350 (300~480)	200~350 (300~480)	200~300 (250~350)	294~480 (368~600)	231~374 (298~484)
Back Head N ₂ Gas Pressure		kgf/cm ²	16.5	16.5	16.5	12	12	12	12	12	12	11	11	11	11	11	11	11	11



BRACKET TYPE



Top Box Type
(Low noise)



Top Box Type
(Standard)



Top Split Type



Side Type

Shape of chisel

Classification	Major Contents	
Moil		Concrete, Rocks, Pavements, Slopes
Wedge		Trench, Slopes, Finishing
Blunt		Quarries
Conical		Concrete, Rocks, Pavements

Choosing the chisel for different rock types

Classification	Rock	Recommended Breakers	Recommended Chisels
Hard rock	Basanite Granite Diabase	B140~B800	Blunt type, Wedge type
Soft rock	Sandstone Limestone Coal	B10~B800	Moil type, Wedge type, Conical type

APPLICATION

● STANDARD ● OPTION

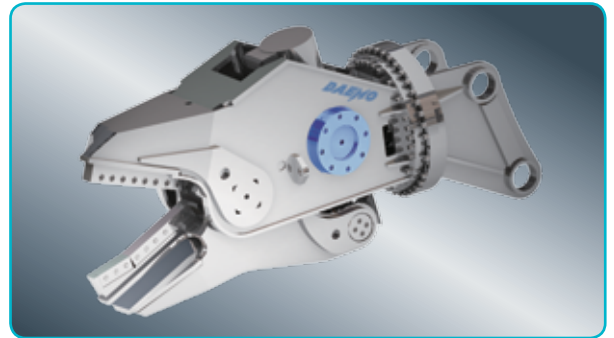
Description	B10	B20	B30	B40	B50	B70	B90	B140	B180	B210	B230	B250	B300	B360	B450	B600	B800
Under water works	—	—	—	●	●	●	●	●	●	●	●	●	●	●	●	●	●
Auto greasing system Hole	—	—	—	—	—	●	●	●	●	●	●	●	●	●	●	●	●
TPC (Total Power Control) System Selector Type	—	—	—	—	●	●	●	●	●	●	●	●	●	●	●	—	—
Energy Regeneration Valve	—	—	—	—	—	—	—	—	—	—	—	—	—	—	—	●	●
ABF (Anti Blank Firing) System	—	—	—	—	●	●	●	●	●	●	●	●	●	●	●	●	●
Auto Greasing Unit	—	—	—	—	—	●	●	●	●	●	●	●	●	●	●	●	●
Central Grease Supply Unit	—	—	—	—	—	●	●	●	●	●	●	●	●	●	●	●	●
BPM Adjuster	—	—	—	—	—	—	—	—	—	●	●	●	●	●	●	—	—
Internal Relief Valve	—	—	—	—	—	—	—	—	—	●	●	●	●	●	●	—	—
TPC (Total Power Control) System Remote Control Type	—	—	—	—	—	—	—	—	—	●	●	●	●	●	●	●	●
Low Noise Housing Bracket	—	—	—	●	●	●	●	●	●	●	●	●	●	●	●	●	●

Shear



FEATURES

- 360-degrees directional work ability.
- Steel structures like H-beams or I-beams can be cut in a single cut.
- Easier Cutter replacement.
- Scientific cutting structure and excellent durability.
- The Speed-up valve can accelerate work speed (option).



SPECIFICATIONS

Description	Unit	DMS250	DMS300	DMS330	DMS550X
Operating Weight	kg	2,200	2,920	2,790	6,800
	lb	4,850	6,437	6,151	14,991
Max. Opening Width	mm	668	570	806	802
	inch	26.3	22.4	31.7	31.6
Overall Length	mm	2,353	2,410	2,588	5,056
	inch	92.6	94.9	101.9	244
Cutting Force (Max)	ton	259	354	354	1,468
Operating Pressure	kgf/cm ²	320	320	320	340
	psi	4,552	4,552	4,552	5,500
Oil Flow Rate	LPM	200~250	250~300	250~300	250~320
	GPM	52.8~66.1	66.1~79.3	66.1~79.3	66.1~84.6
Excavator class	ton	22~27	27~33	27~33	36~(2nd) 50~(3nd)





Fixed Crusher

FEATURES

- Enhanced durability with wear-resistant teeth material.
- Diversified teeth enable fine crushing, which enhances work efficiency.
- Lower noise, less vibration design enables works in almost any environments.
- Economical demolition by crushing the concrete and cutting the reinforced steel bars in it for separation purpose.
- The Speed-up valve can accelerate work speed (option).
- Option : Tooth replacement type (DMC140~DMC300).



SPECIFICATIONS

Description	Unit	DMC140	DMC180	DMC210	DMC300
Operating Weight	kg	1,314	1,418	1,926	2,550
	lb	2,897	3,126	4,246	5,622
Max. Opening Width	mm	612	728	784	915
	inch	24.1	28.7	30.9	36.0
Overall Length	mm	1,965	2,050	2,222	2,351
	inch	77.4	80.7	87.5	92.6
Crushing Force (END)	ton	42	44	57	73
Operating Pressure	kgf/cm ²	280	280	320	320
	psi	3,983	3,983	4,552	4,552
Oil Flow Rate	LPM	170~220	180~220	200~250	250~300
	GPM	44.9~58.2	47.6~60.8	52.8~66.1	66.1~79.3
Excavator class	ton	13~20	16~23	20~28	27~36

Rotating Crusher



FEATURES

- 360-degrees directional work ability.
- Available for separating and cutting steel bars as well as breaking columns.
- Enabled demolition in narrow building spaces or noise regulated environments with innovative performance.
- The Speed-up valve can accelerate work speed (option).
- Option : Tooth replacement type (DMC230R, DMC330R).



SPECIFICATIONS

Description	Unit	DMC230R	DMC330R
Operating Weight	kg	2,250	3,050
	lb	4,960	6,724
Max. Opening Width	mm	780	890
	inch	30.7	35.0
Overall Length	mm	2,500	2,660
	inch	98.4	104.7
Crushing Force (END)	ton	57	73
Operating Pressure	kgf/cm ²	320	320
	psi	4,552	4,552
Oil Flow Rate	LPM	200~250	250~300
	GPM	52.8~66.1	66.1~79.3
Excavator class	ton	20~28	27~36

Mini Crusher



FEATURES

- Dual cylinder system for speedy & powerful operation.
- Enhanced durability by applying HARDOX.
- Easy maintenance.
- Powerful performance with minimum vibration.
- The Speed-up valve can accelerate work speed (option).
- Free rotating type (Standard).



SPECIFICATIONS

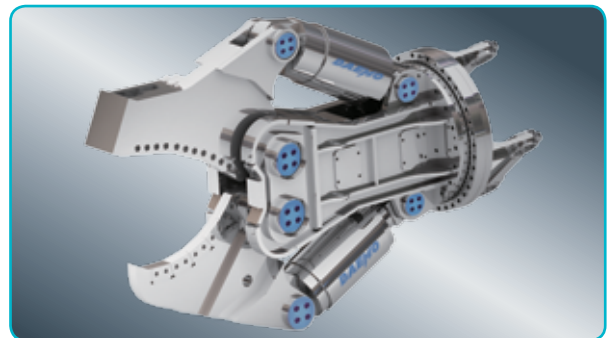
Description	Unit	DMC10	DMC30	DMC50
Operating Weight	kg	160	265	420
Max. Opening Width	mm	330	410	520
Crushing Force (END)	ton	17	21	33.5
Excavator class	ton	1.5~2	2.5~3.5	4~5.5

Multi Processor



FEATURES

- Stronger breaking power maximizes work efficiency.
- Both crushing concrete and cutting reinforced steel is available by switching Arms.
- Improved work ability and mobility by adopting hydraulic rotating motor.
- Durability guaranteed by improved design.
- Reliability enhanced by Quality Assurance System.
- The Speed-up valve can accelerate work speed (option).



SPECIFICATIONS

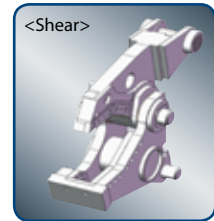
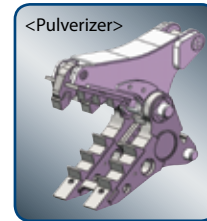
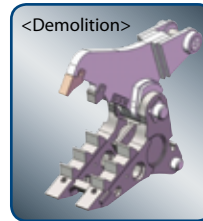
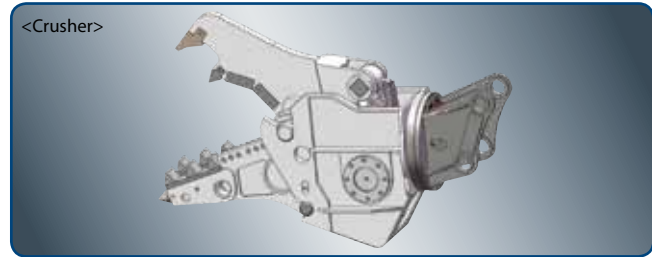
Description	Unit	DMP230CMS	DMP330CMS	DMP330CML	DMP330SM
Operating Weight	kg	1,730	2,850	2,910	3,000
	lb	3,814	6,283	6,415	6,614
Max. Opening Width	mm	900	1,110	1,220	613
	inch	35.4	43.7	48.0	24.1
Overall Length	mm	2,044	2,474	2,546	2,508
	inch	80.5	97.4	100.2	98.7
Crushing Force (END)	ton	55	91	84	-
Average Cutting Force (Cutter INNER)	ton	577	584	584	452
Oil Flow Rate	LPM	200~250	250~300	250~300	250~300
	GPM	52.8~66.1	66.1~79.3	66.1~79.3	66.1~79.3
Excavator class	ton	18~26	27~36	27~36	27~36

Multi Processor DMP250Q



FEATURES

- Four different Arm replaceable (Crusher, Shear, Demolition, Pulverizer).
- Replacing Arm can be done within 10 min by applying hydraulic cylinder system.
- Enhanced safety with Check Valve and mechanical Spring.
- Tooth replacement available.
- Enhanced durability by applying Hardox400 & Hardox Hituf.
- High work efficiency with Speed-up valve as Standard.



SPECIFICATIONS

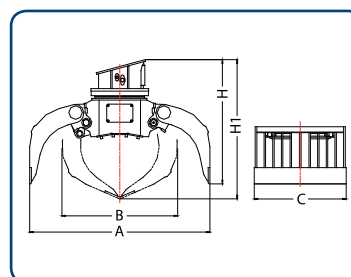
Description	Unit	Crusher Arm	Demolition Arm	Pulverizer Arm	Shear Arm
Operating weight	kg/lb	2,780 / 6,129	2,700 / 5,688	2,700 / 5,952	2,580 / 5,952
Crushing Force (Tip)	ton	85	85	85	120
Crushing Force (Mid)	ton	120	140	130	190
Opening Width	mm/inch	875 / 34.4	940 / 37	945 / 37.2	480 / 18.9
Width Upper Jaw	mm/inch	80 / 3.2	80 / 3.2	316 / 12.4	120 / 4.7
Width Lower Jaw	mm/inch	426 / 16.8	500 / 19.7	490 / 19.3	352 / 13.9
Cutter Length	mm/inch	200+200 / 15.7	200 / 7.9	200 / 7.9	300+250 / 11.8+9.8
Operating Pressure	kg/cm ² /psi	350 / 4,978			
Oil Flow Rate	LPM	150~250			
Cycle Time (Open/Close)	sec	2.0 / 2.3			
Rotation Pressure	kg/cm ² /psi	170 / 2,418			
Rotation Flow	LPM	40~60			
Excavator	ton	20~35			

Sorting Grab / Rake



FEATURES

- Link Type mounting bracket.
- Rotating Option : Hydraulic or Fixed.
- Teeth option : replaceable type available.



SPECIFICATIONS

Description	Unit	DMR600	DMR800	DMR1000
Operating weight	kg	730	1,270	1,370
Capacity	m ³	0.60	0.80	1.00
Max Clamping force	ton	3.3	5.2	5.9
(A) Max open width	mm	1,780	2,000	2,200
(B)	mm	1,168	1,284	1,354
(C) Jaw width	mm	800	1,020	1,200
(H)	mm	1,156	1,375	1,410
(H1) Overall Length	mm	1,336	1,540	1,623
Excavator class	ton	12~18	18~25	25~32

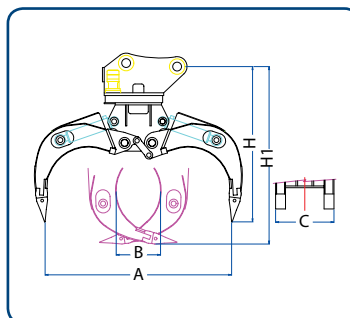
- Above specification do not include Mounting Bulk cap which need to be ordered separately.



Wood Grapple (Link Type)

FEATURES

- Link Type mounting bracket.
- Rotating Type.
- Loading/unloading timbers, logs and pipes.
- Wide jaws suitable for various work requirement.
- High efficiency.



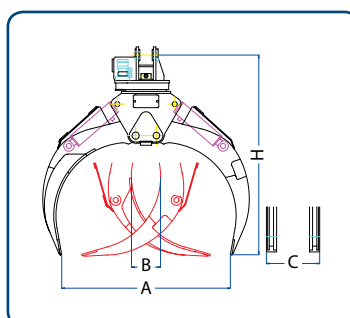
SPECIFICATIONS

Description	Unit	DMWL300	DMWL600	DMWL800	DMWL1000
Operating weight	kg	250	750	890	1,200
Capacity	m ²	0.14	0.45	0.55	0.60
(A) Max open width	mm	900	1,600	1,700	1,950
(B)	mm	127	360	304	340
(C) Jaw width	mm	352	548	670	760
(H)	mm	927	1,253	1,545	1,640
(H1) Overall Length	mm	1,112	1,569	1,755	1,890
Excavator class	ton	5~8	12~18	18~25	25~32

Wood Grapple (Pendulum Type)

FEATURES

- Pendulum Type mounting bracket.
- Rotating Type.
- Loading/unloading timbers, logs and pipes.
- Wide jaws suitable for various work requirement.
- High efficiency.



SPECIFICATIONS

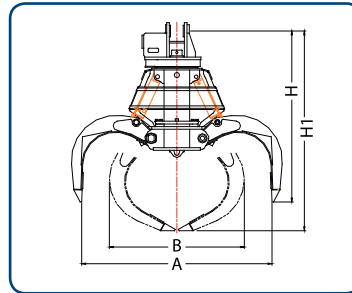
Description	Unit	DMWP300	DMWP600	DMWP800	DMWP1000	DMWP1001
Operating weight	kg	250	650	1,000	1,200	2,050
Capacity	m ²	0.14	0.40	0.60	0.80	1.90
(A) Max open width	mm	900	1,500	1,520	1,660	3,500
(B)	mm	127	256	304	300	478
(C) Jaw width	mm	352	544	521	521	830
(H)	mm	927	1,175	1,724	1,925	2,260
Excavator class	ton	5~8	12~18	18~25	25~32	36~45



Orange Grapple

FEATURES

- Loading/unloading metal scrap, wastes and garbage.
- Pendulum Type
- Rotating Options : Hydraulic Rotating Type, Free Rotating Type, or Fixed Type available.
- Number of Tines : 4 / 5 / 6
- Tines Options : Close type, Semi-close type, Open type



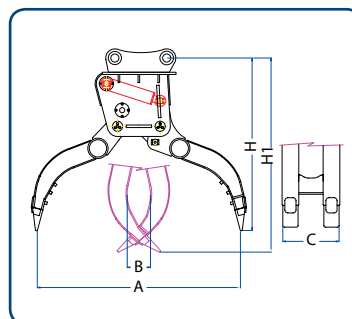
SPECIFICATIONS

Description	Unit	DMSG600	DMSG800	DMSG1000	DMSG1300	DMSG1500
Operating weight	kg	700	1,100	1,400	1,540	2,040
Capacity	m ³	0.5	0.7	0.9	1.2	1.4
Max Clamping force	ton	10.5	12.5	14.7	20	19.7
(A) Max open width	mm	1,660	1,820	2,000	2,260	2,400
(B)	mm	1,140	1,290	1,505	1,546	1,770
(H)	mm	1,496	1,630	1,800	2,050	2,120
(H1) Overall Length	mm	1,750	1,905	2,048	2,394	2,500
Excavator class	ton	12~18	18~25	25~32	33~	36~
Standard Tines No.	ea	5	5	5	4	5

Stone Grapple

FEATURES

- Double safety device for anti-slipping and dropping.
- Used for making sea breakwater, constructing river drain.
- Fixed type (Rotating option available).



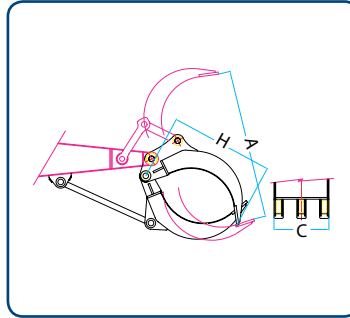
SPECIFICATIONS

Description	Unit	DMTG800	DMTG1000	DMTG1500
Operating weight	kg	850	1,420	1,560
(A) Max open width	mm	1,800	2,000	2,260
(B)	mm	176	230	320
(C) Jaw width	mm	450	568	568
(H)	mm	1,870	1,977	2,107
(H1) Overall Length	mm	1,930	2,185	2,370
Excavator class	ton	18~25	25~32	32~40

Mechanical Fork

FEATURES

- Wide application.
- Outstanding durability.
- High efficiency.
- High Power and durability beyond imagination.



SPECIFICATIONS

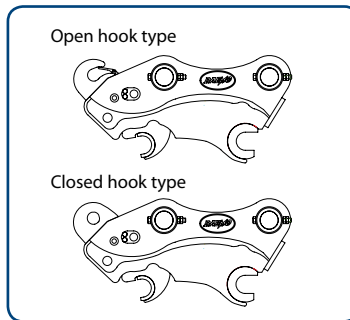
Description	Unit	DMMF600	DMMF800	DMMF1000
Operating weight	kg	800	1,200	1,350
(A) Max open width	mm	1,700	1,900	2,150
(C) Jaw width	mm	830	930	1,000
(H) Overall Length	mm	1,078	1,120	1,200
Excavator class	ton	12~18	18~25	25~32

Quick Coupler



FEATURES

- Various applications with the wide PIN TO PIN distance.
- Outstanding durability by using abrasion-resistant and high strength material.
- Safety valve integrated cylinder and manual safety pin.
- Low off-set height and up to date design.



SPECIFICATIONS

Description	Unit	DMQ16	DMQ27	DMQ35	DMQ50	DMQ70	DMQ80	DMQ140
Operating weight	kg	31	38	40	72	85	92	184
Setting pressure	Kgf/cm ²	40~210	40~210	40~210	40~210	N/A	40~280	40~320
Oil flow	LPM	10~20	10~20	10~20	10~20	N/A	10~20	10~20
Excavator class	ton	1.6	2.7	3.5	5	7	8	14

Description	Unit	DMQ170	DMQ230	DMQ290	DMQ360	DMQ450	DMQ500	DMQ800
Operating weight	kg	352	374	556	680	692	719	1,126
Setting pressure	Kgf/cm ²	40~320	40~320	40~350	40~350	40~350	40~350	40~350
Oil flow	LPM	10~20	10~20	10~20	10~20	10~20	10~20	10~20
Excavator class	ton	17	21	25~30	32~36	45~48	50~52	80

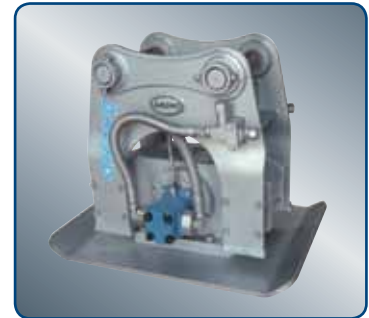
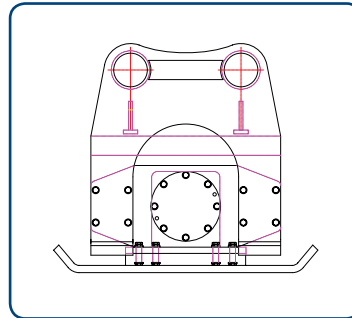
- Above weight data includes Bracket Pin.

- Push type : DMQ16~DMQ230, Pull type : DMQ290~DMQ800, Manual type : DMQ70.

Compactor

FEATURES

- Roading construction.
- Building foundation.
- Backfill for retaining walls.
- Sewer and trench construction.
- Slope compaction.
- Extension for compacting narrow trench.



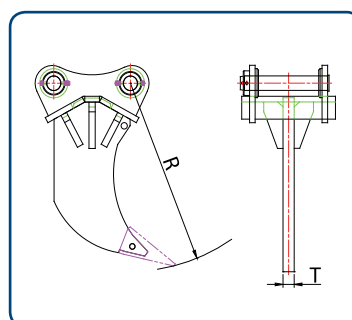
SPECIFICATIONS

Description		Unit	DMV50	DMV140	DMV230	DMV300
Impulse force		ton	3	6	8	10
Weight		kg	250	600	700	860
Compact area	Width	mm	600	700	800	850
	Length	mm	800	900	900	1,150
Oil flow required		lpm	60	120	150	150
Max. cycle per minute		rpm	2,400	2,400	2,400	2,400
Operating pressure		bar	100~130	110~160	130~170	140~180
Excavator class		ton	3.5~8	12~18	18~25	25~32

Ripper

FEATURES

- Specifically designed to pre-rip frozen ground or tough soil that exceeds the bucket's recommended duty.
- Used for removing stumps, roots, or rebar.
- High strength solid shank.
- Single & Double points type available.
- Installing adaptor is an option (Standard has no Adaptor).



SPECIFICATIONS

Description		DMSPR140	DMDPR140	DMSPR230	DMDPR230	DMSPR360	DMDPR360	DMSPR450	DMDPR450
Point Option		Single	Double	Single	Double	Single	Double	Single	Double
Operating weight	kg	230	310	390	580	770	1,100	770	1,100
Shank thickness (T)	mm	60		60		80		80	
Tip radius (R)	mm	940		1,050		1,290		1,290	
Excavator class	ton	11~14		16~25		25~32		36~50	

- Shank thickness and weight subject to change without pre-notice.

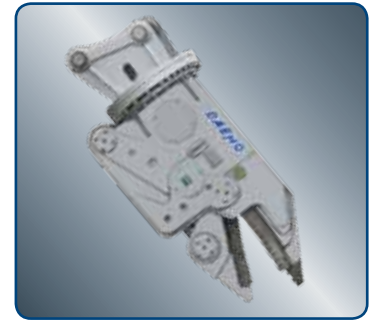
- Above specification is based on Single type.

Car Dismantler



FEATURES

- A fine combination of clamp arm and 360° rotation cutter efficiently demolish scrapped car.
- The powerful mechanism allows speedy demolition without preprocess such as fusing chassis frame.
- One-man car demolition for higher productivity.



SPECIFICATIONS

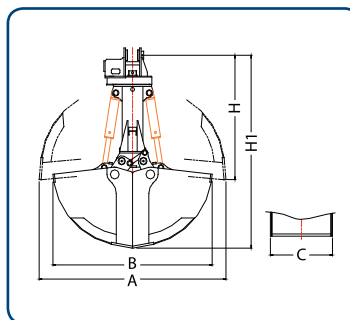
Description	Unit	DMCP230R
Rotation type		Rotating Head type
Operating weight	kg	1,800
Max. opening width	mm	600
Max. cutting force	ton	170
Excavator class	ton	20~28

Clamshell Bucket



FEATURES

- Pendulum Type.
- Rotating Options : Hydraulic Rotating Type, Free Rotating Type, Fixed Type Available.
- Teeth can be Installed as Option. Standard Clamshell has no teeth.



SPECIFICATIONS

Description	Unit	DMCB600	DMCB800	DMCB1000	DMCB1500
Operating weight	kg	720	980	1,100	1,350
Capacity	m ³	0.5	0.7	1.0	1.5
(A)	mm	1,583	2,000	2,128	2,128
(B) Max open width	mm	1,460	1,715	1,716	1,716
(C) Bucket width	mm	800	800	1,000	1,500
(H)	mm	1,292	1,400	1,550	1,550
(H1) Overall Length	mm	1,852	2,094	2,140	2,140
Excavator class	ton	12~18	18~25	25~32	32~45



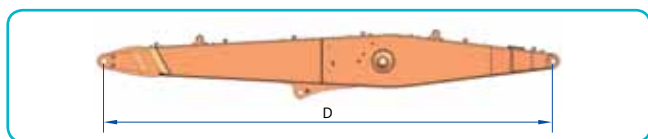
Material Handler

FEATURES

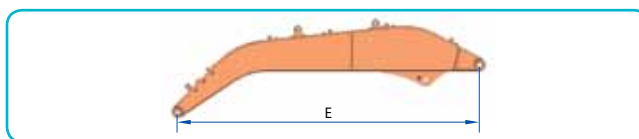
- High strength, low alloy steel yields maximum strength to weight ratio.
- Large diameter pins and wide joints absorb the strain of big loads.
- Two pieces Material Handler supplied as standard.
- A large variety of grapples and clamshell buckets available.



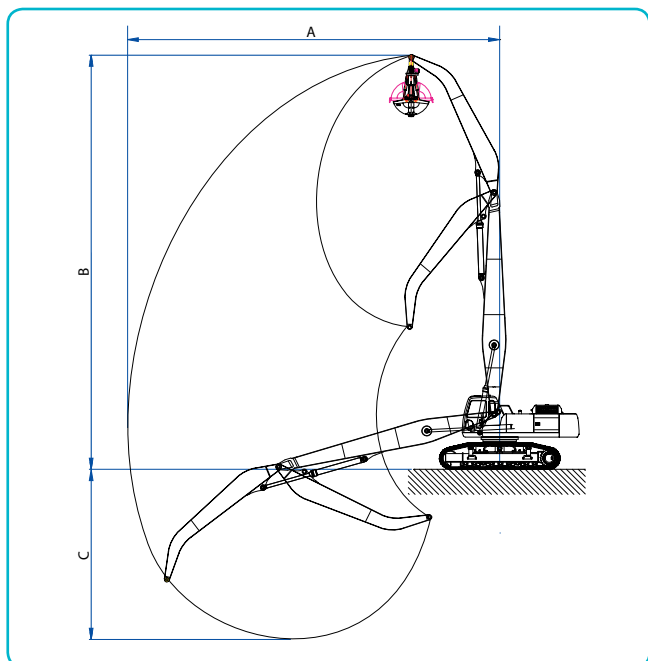
Boom



Arm



Working range



Scope of supply



SPECIFICATIONS

Description	Unit	Wheel		Crawler						
		DMMH2140	DMMH2200	DMMH2140	DMMH2210	DMMH2290	DMMH2320	DMMH2360	DMMH2480	DMMH2520
(A) Maximum Reach	mm	9,060	11,000	9,060	11,100	13,020	13,680	14,360	16,720	16,700
(B) Maximum Height	mm	10,630	12,670	9,800	12,500	14,340	15,030	15,810	17,600	17,650
(C) Maximum Depth	mm	3,740	4,650	3,150	4,800	6,410	6,420	6,730	7,940	7,740
(D) Boom Length	mm	5,550	6,710	5,550	6,500	7,800	7,800	8,600	10,000	10,000
(E) Arm Length	mm	3,850	4,670	3,850	4,500	5,400	6,050	6,050	7,100	7,100
Lift Capacity at Max. Reach	kg	(SNS : 1.6 Ton)	(SNS : 2.4 Ton)	(SNS : 1.6 Ton)	(SNS : 2.4 Ton)	(SNS : 2.6 Ton)	(SNS : 2.6 Ton)	(SNS : 3.0 Ton)	(SNS : 3.5 Ton)	(SNS : 3.5 Ton)
Additional Counter weight	kg	(SNS : 1.0 Ton)	(SNS : 1.5 Ton)	(SNS : 1.0 Ton)	(SNS : 1.5 Ton)	(SNS : 2.0 Ton)	(SNS : 2.0 Ton)	(SNS : 2.5 Ton)	(SNS : 3.0 Ton)	(SNS : 3.0 Ton)
Excavator Class	ton	14~20	20~27	14~20	21~25	27~32	32~40	32~40	40~50	50~60
HHI Excavator		R140W	R210W	R140	R210	R290, R300	R320	R360, R380	R450, R480	R500, R520

- Lift capacities do not include the weight of grapple, clamshell, or other lifting devices, which must be deducted from the above figures.
- Asterisk(*) means the data can be changed according to base machine's condition.
- Above specifications can be changed according to customer's requirement.

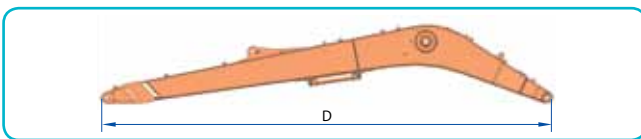
Long Reach Excavator

FEATURES

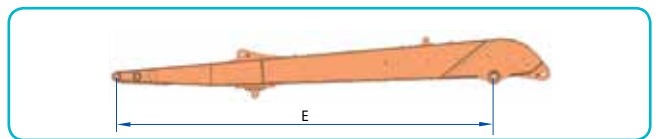
- High strength, low alloy steel yields maximum strength to weight ratio.
- Designed to transport legally without disassembly for height limitation.
- Custom design for specific reach & digging force.



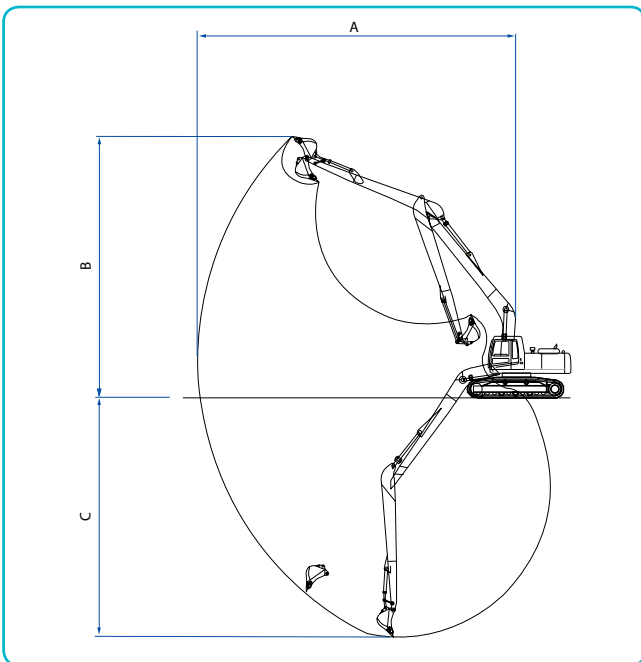
Boom



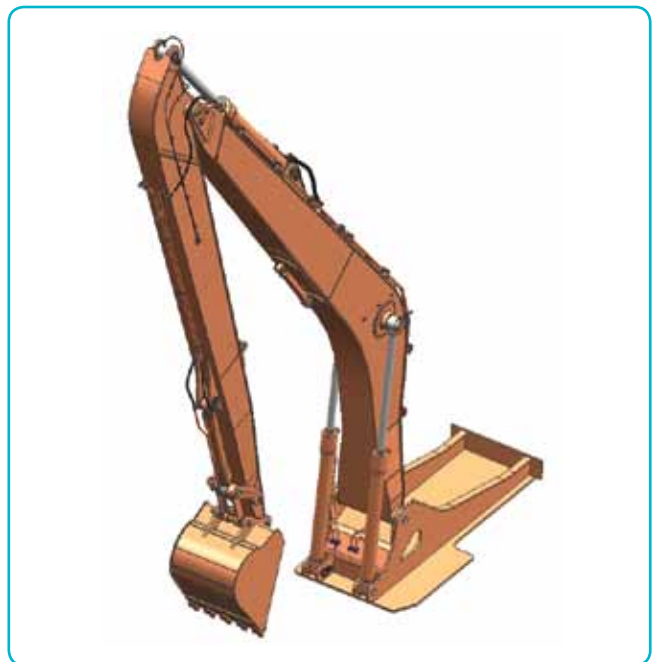
Arm



Working range



Scope of supply



SPECIFICATIONS

Description	Unit	DMLR2210	DMLR2900	DMLR2480	DMLR2520
(A) Max. digging reach	mm	15,220	18,510	16,350	18,170
(B) Max. digging height	mm	12,550	14,500	13,840	15,120
(C) Max. digging depth	mm	11,760	14,820	11,560	13,050
(D) Boom length	mm	8,200	10,200	9,000	10,000
(E) Arm length	mm	6,300	7,850	5,850	6,850
Recommended bucket capa*(SAE)	M ³	0.52	0.52	1.65	1.00
Counterweight*	kg	5,300	7,000	10,700	11,700
Operating weight	kg	24,500	32,860	48,100	52,800
Excavator Class	ton	21	29	45	50
HHI Excavator		R210, R220	R290, R300	R450, R480	R500, R520

- Asterisk(*) means the data can be changed according to base machine's condition.
 - Above specifications can be changed according to customer's requirement.

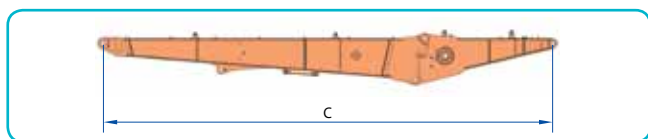
High Reach Demolition

FEATURES

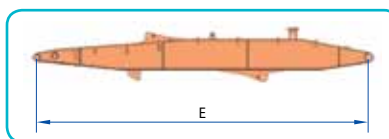
- Reinforced box section design and high strength, low alloy steel yields maximum strength to weight ratio.
- Large diameter pins and wide joints absorb the strain of big loads.
- Boom angle sensor and warning device as standard.
- Boom can be divided for the machine to use standard excavation purpose (option).



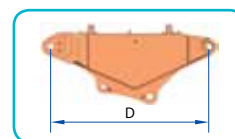
Boom



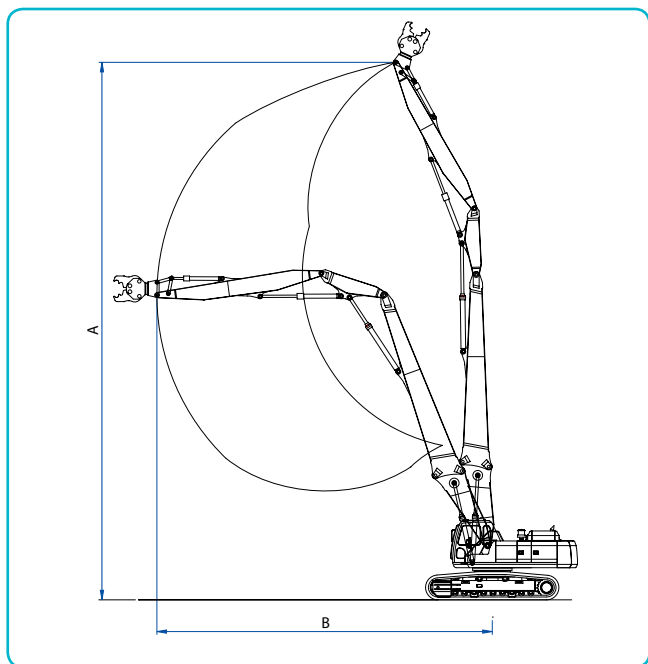
End Arm



Middle Arm



Working range



Scope of supply



SPECIFICATIONS

Description	Unit	DMHRD380E	DMHRD520E
(A) Max. pin height	mm	21,000	25,000
(B) Max. working reach*	mm	13,100	15,200
(C) Extension Boom length	mm	10,600	13,300
(D) Middle arm length	mm	2,600	2,600
(E) Arm length	mm	6,500	7,500
Allowable tool weight*	kg	2,200	2,200
Additional counter weight*	kg	4,500	5,500
Excavator Class	ton	32~40	50~60
HHI Excavator		R360, R380	R500, R520

- Asterisk(*) means the data can be changed according to base machine's condition.
 - Above specifications can be changed according to customer's requirement.

Cabin Option

FEATURES

- Front guard or FOPS guard is available as option.
- Additional development is available according to customer's requirement.



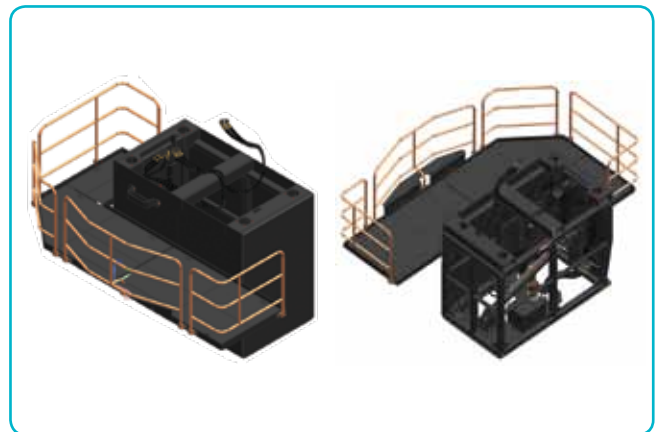
Hyd. Cabin Elevating(Wheel)



Hyd. Cabin Tilting



Fixed Cabin Riser(Crawler)



SPECIFICATIONS

Model	Option Type	Rising Height	Tilting Angle
DMCE-20	Elevating	2.0M	-
DMCE-2030	Elevating & Tilting	2.0M	30°
DMCF-12	Fixed Riser	1.2M	-
DMCF-15		1.5M	-
DMCF-18		1.8M	-
DMCF-30		-	30°

- Asterisk(*) means the data can be changed according to base machine's condition.
- Above specifications can be changed according to customer's requirement.



Responsible Promise

Advanced Value
Powerful Performance
Challenging Effort



GLOBAL NETWORK



DAEMO ENGINEERING CO., LTD.



HEAD OFFICE

No 515, 2Ba, Siwha Industrial Complex, Jungwang-dong,
Siheung-si, Gyeonggi-do, Korea
TEL : +82-31-488-6000 (Rep.) FAX : +82-31-496-0066
Internet : <http://www.daemo.co.kr>
E-mail : daemo@daemo.co.kr

DAEMO EUROPE N.V.

MOESTOEMAATHEIDE 15, B-2440 GEEL, BELGIUM
TEL : +32 (0)14 / 59.23.33
FAX : +32 (0)14 / 59.03.16
Mobile : +32-472-220-496
E-mail : smilk@daemo.co.kr (Mr. Bread Joon)
steve@daemo.co.kr (Mr. Steve Kim)
william@daemo.co.kr (Mr. William Kim)

DAEMO AMERICA Inc.

6675 DOOLITTLE AVE BLDG A, RIVERSIDE, CA 92503, USA
TEL : +1-951-688-8300
FAX : +1-951-688-8500
Mobile : +1-951-756-9555
E-mail : samkim@daemo.co.kr (Mr. Samuel Kim)
andy@daemo.co.kr (Mr. Andy Kim)

CHANGZHOU DAEMO MACHINERY CO., LTD.

No269, Huanghexi Rd, XueJia Industrial Complex,
Changzhou City, Jiangsu Province, China
TEL : +86-0519-8595-9000 FAX : +86-0519-8595-9009
Mobile : +86-1335-789-9669
E-mail : hyjung60@daemo.co.kr (Mr. Jung)
k_imchi@daemo.co.kr (Mr. Shin)

PLEASE CONTACT



ISSUE : 2013. 4, Printed in KOREA