



EZ80

Tracked Zero Tail Excavator

Compact design and high performance

The EZ80 is the largest Wacker Neuson zero-tail tracked excavator. It combines compact dimensions and low consumption with high performance. With a digging depth of over 4 meters and excellent digging values, excavation work can be completed quickly. Working along walls and other boundaries is no problem because there is no machine rear overhang. Even on narrow urban construction sites, the EZ80 proves itself with its compact dimensions. Moreover, it is impressive due to up to 20% less fuel consumption and thus significantly reduced operating costs.

Highlights

- Powerful drive system with LUDV
- Zero Tail
- Up to four additional factory-installed control circuits
- More cab comfort
- Compact dimensions

Technical Data

Hydraulic

Operating pressure	300.0 bar
hydraulikpump	Axial piston pump
Flow rate	160.0 l/min
Flow rate max.	160.0 l/min
Tank capacity	92.0 l

Mechanical - Output Details

Travel speed	4.4 km/h
Travel speed stage 1	2.8 km/h
Travel speed stage 2	4.4 km/h

Mechanical Details

Length	6,939.0 mm
Width	2,250.0 mm
Height	2,562.0 mm
Operating weight (min.-max.)	7,918.0 - 9,544.0 kg
Digging depth (max.)	4,169.0 mm

Engine

Cooling	Water-cooling
---------	---------------

Engine type	Diesel engine
Cylinder	4.0
Cylinder capacity	2,216.0 cm ³
Effective power	42.0 KW
Nominal Engine speed	2,000.0 1/min
Exhaust-gas limit	EU Stage V
Battery capacity (nom. value)	100.0 Ah
Manufacturer	Perkins
Engine designation	404J-E22T

Environment Data

Sound level LpA	97.0 dB(A)
Sound power LWA, guaranteed	97.0 dB(A)

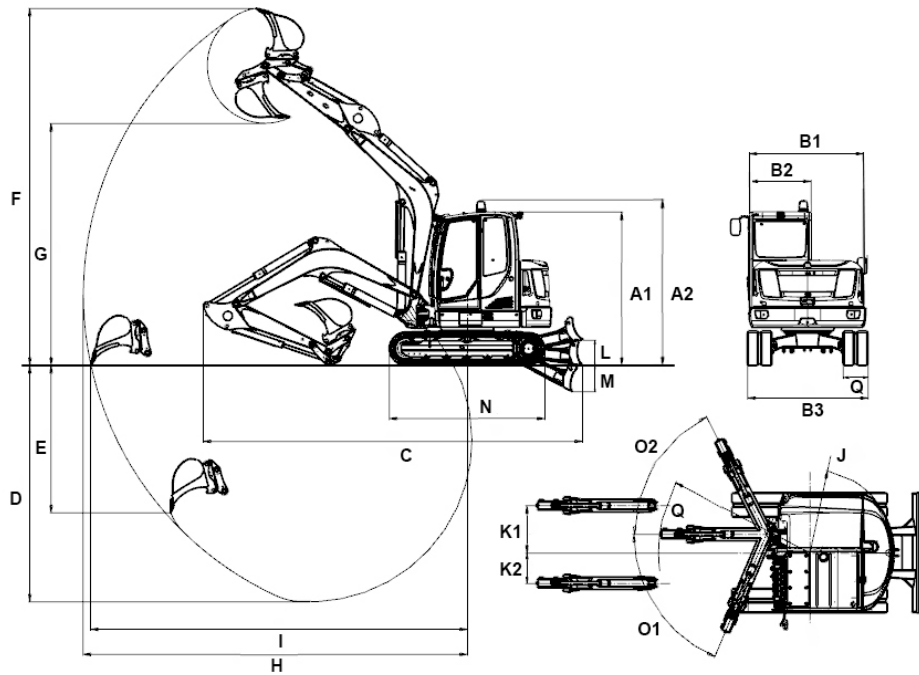
Chassis

Operating pressure	300.0 bar
--------------------	-----------

Shipping and Storage

Shipping weight	7,588.0 kg
-----------------	------------

Dimensions



A	Height with cab	2,562 mm
	Total height with rotating beacon	2,738 mm
B1	Width of upper carriage	1,903 mm
B2	Width of cab	1,000 mm
C1	Transport length	6,939 mm
D1	Digging depth max.	3,919 mm
E1	Piercing depth max.	1,915 mm
F1	Piercing height max.	6,620 mm
G1	Dumping height max.	4,587 mm
H1	Digging radius max.	6,955 mm
I1	Max. reach at ground level	6,795 mm
J1	Tail swing radius	1,228 mm
J2	Tail swing radius with tail weight	1,341 mm
K1	Boom offset max. (to center of bucket right side)	705 mm
K2	Boom offset max. (to center of bucket left side)	683 mm
L1	Stacking height max. (dozer blade above surface)	474 mm
M1	Digging depth max. (dozer blade below surface)	523 mm
N1	Length travel drive	2,826 mm
O1	Max. swivel angle (arm system to the left)	67 °
O2	Max. swivel angle (arm system to the right)	63 °
P1	Track width	450 mm
Q1	Boom swing radius center	2,869 mm
Q2	Boom swing radius right	2,724 mm
Q3	Boom swing radius left	2,273 mm