



ET35

Tracked Conventional Excavator

Impressive productivity

The tracked excavator in the 3.5-metric ton class impresses with its performance and many well thought-out details. Along with the optimized engine-pump management for up to 15% faster working cycles, the excellent stability and the ergonomically designed cabin ensure efficient and fatigue-free work. Thanks to the numerous options available ex work, the ET35 can also be adapted individually to the customer's requirements.

Highlights

- VDS Vertical Digging System
- Optimized drive concept
- Jog dial
- Comfortable, fully glazed cab
- Up to four additional factory-installed control circuits

Technical Data

Hydraulic

Operating pressure	240.0 bar
hydraulikpump	Axial piston and 2 gear pumps
Flow rate max.	120.0 l/min

Mechanical - Output Details

Nominal Engine speed	2,400.0 1/min
Travel speed	4.7 km/h

Mechanical Details

Length	5,271.0 mm
Width	1,630.0 mm
Height	2,711.0 mm
Operating weight (min.-max.)	3,553.0 - 4,753.0 kg
Digging depth (max.)	3,497.0 mm

Engine

Cooling	Water-cooling
Engine type	Diesel engine
Cylinder	3.0

Cylinder capacity	1,642.0 cm ³
Effective power	18.2 KW
Nominal Engine speed	2,400.0 1/min
Exhaust-gas limit	EU Stage V
Battery capacity (nom. value)	71.0 Ah
Manufacturer	Yanmar
Engine designation	3TNV88

Environment Data

Sound power LWA, guaranteed	94.0 dB(A)
-----------------------------	------------

Operating Fluids

Oil volume	6.700 l
Cooling fluid volume	5.0 l
Hydraulic fluid volume	61.5 l

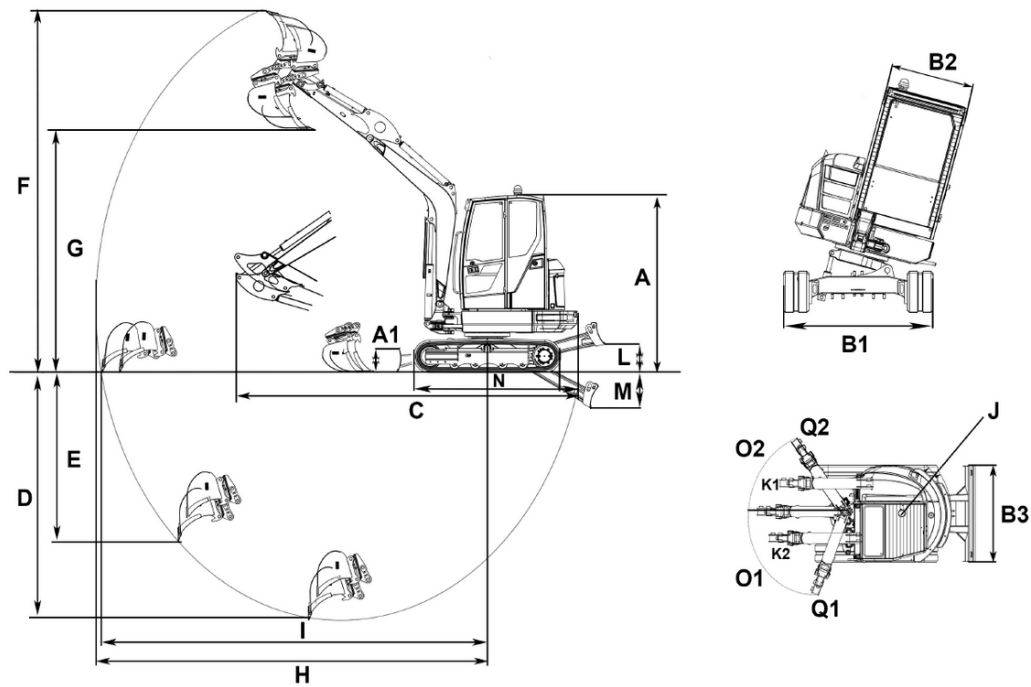
Chassis

drive unit	Axialpistonmotor with RGU
------------	---------------------------

Shipping and Storage

Shipping weight	3,364.0 kg
-----------------	------------

Dimensions



A	Height with cab	2,491 mm
	Total height with rotating beacon	2,630 mm
B1	Width of cab	980 mm
B2	Width travel gear	1,630 mm
B3	Width of dozer blade	1,630 mm
C	Transport length short shovel arm	5,268 mm
D	Digging depth max., short shovel arm	3,245 mm
	Digging depth max., long shovel arm	3,497 mm
E	Piercing depth max., short shovel arm	2,120 mm
	Piercing depth max., long shovel arm	2,360 mm
F	Piercing height max., short shovel arm	4,929 mm
	Piercing height max., long shovel arm	5,082 mm
G	Dumping height max., short shovel arm	3,337 mm
	Dumping height max., long shovel arm	3,489 mm
H	Digging radius max., short shovel arm	5,270 mm
	Digging radius max., long shovel arm	5,507 mm
I	Max. reach at ground level (short shovel arm)	5,158 mm
	Max. reach at ground level (long shovel arm)	5,408 mm
J	Tail swing radius	1,168 mm
K1	Boom offset max. (to center of bucket right side)	476 mm
K2	Boom offset max. (to center of bucket left side)	447 mm
L	Stacking height max. (dozer blade above surface)	393 mm
M	Digging depth max. (dozer blade below surface)	505 mm
N	Length travel drive	2,062 mm
O1	Max. swivel angle (arm system to the left)	70 °
O2	Max. swivel angle (arm system to the right)	55 °
Q1	Boom swing radius right	55 °
Q2	Boom swing radius left	70 °